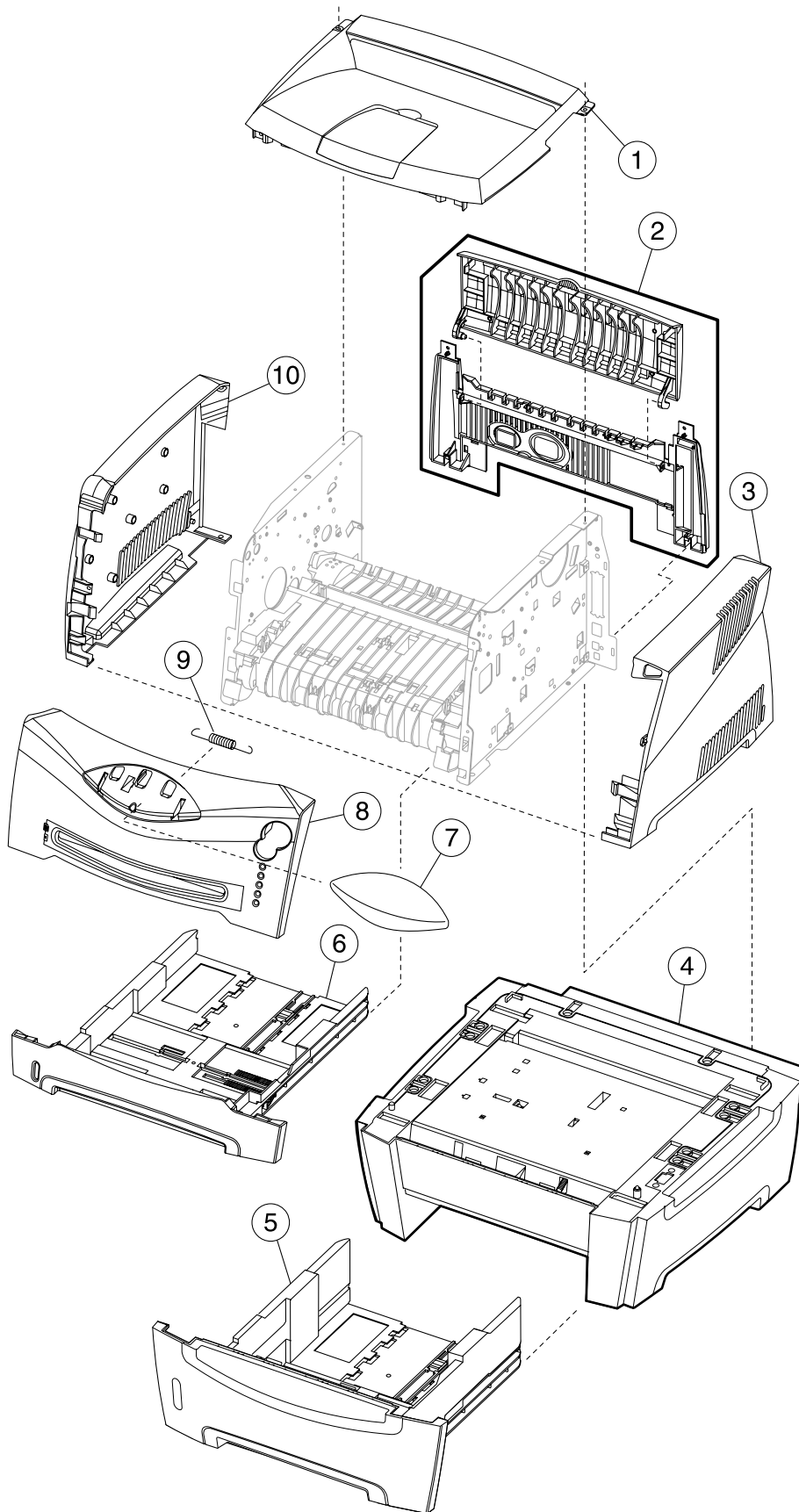


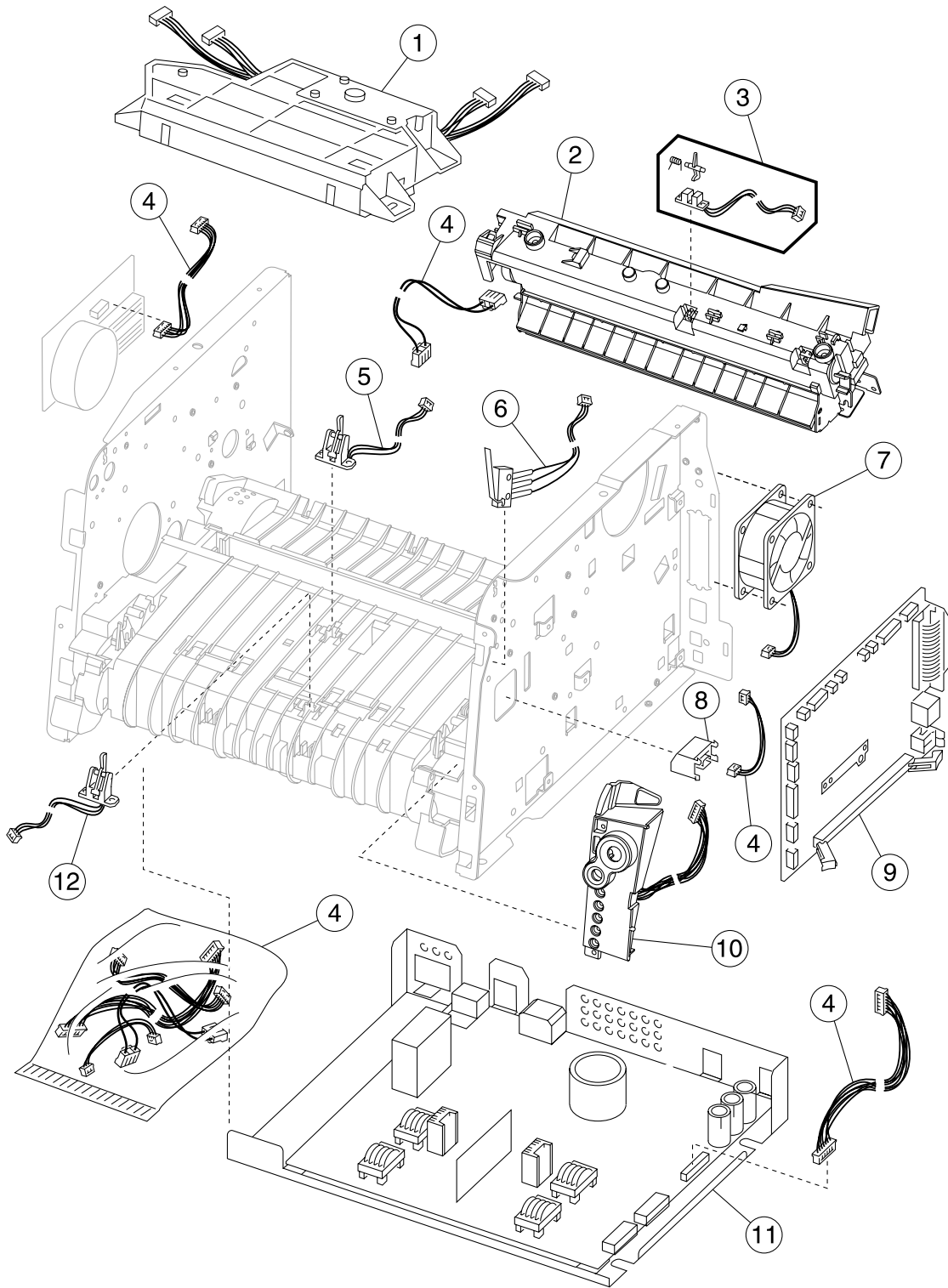
## Assembly 1: Covers



## Assembly 1: Covers

Index	P/N	Units	Description
1—1	56P2079	1	Cover assembly, top
2	56P2087	1	Cover assembly, rear
2	56P2098	1	Cover assembly, rear (white)
3	56P1821	1	Cover, right
3	56P2093	1	Cover, right (white)
4	56P2089	1	Drawer, optional
5	56P2090	1	Tray 2, optional
5	56P2084	1	Tray 2, optional (white)
6	56P2088	1	Tray, main
6	56P1834	1	Tray, main (white)
7	56P1832	1	Cover, logo plate E332n
7	56P2081	1	Cover, logo plate E330
7	56P2085	1	Cover, logo plate E232
7	56P1833	1	Cover, logo plate E230
7	56P2086	1	Cover, logo plate (plain)
7	56P2628	1	Cover, logo plate (white) E230
7	56P2096	1	Cover, logo plate (white) E330
7	56P2097	1	Cover, logo plate (white) E232
7	56P2629	1	Cover, logo plate (white) E332
7	56P2703	1	Cover, logo plate E234
8	56P1816	1	Cover assembly, front access (no logo)
8	56P2091	1	Cover assembly, front access (white)
9	56P2647	1	Springs, front door and ACM
10	56P2080	1	Cover, left
10	56P2095	1	Cover, left (white)

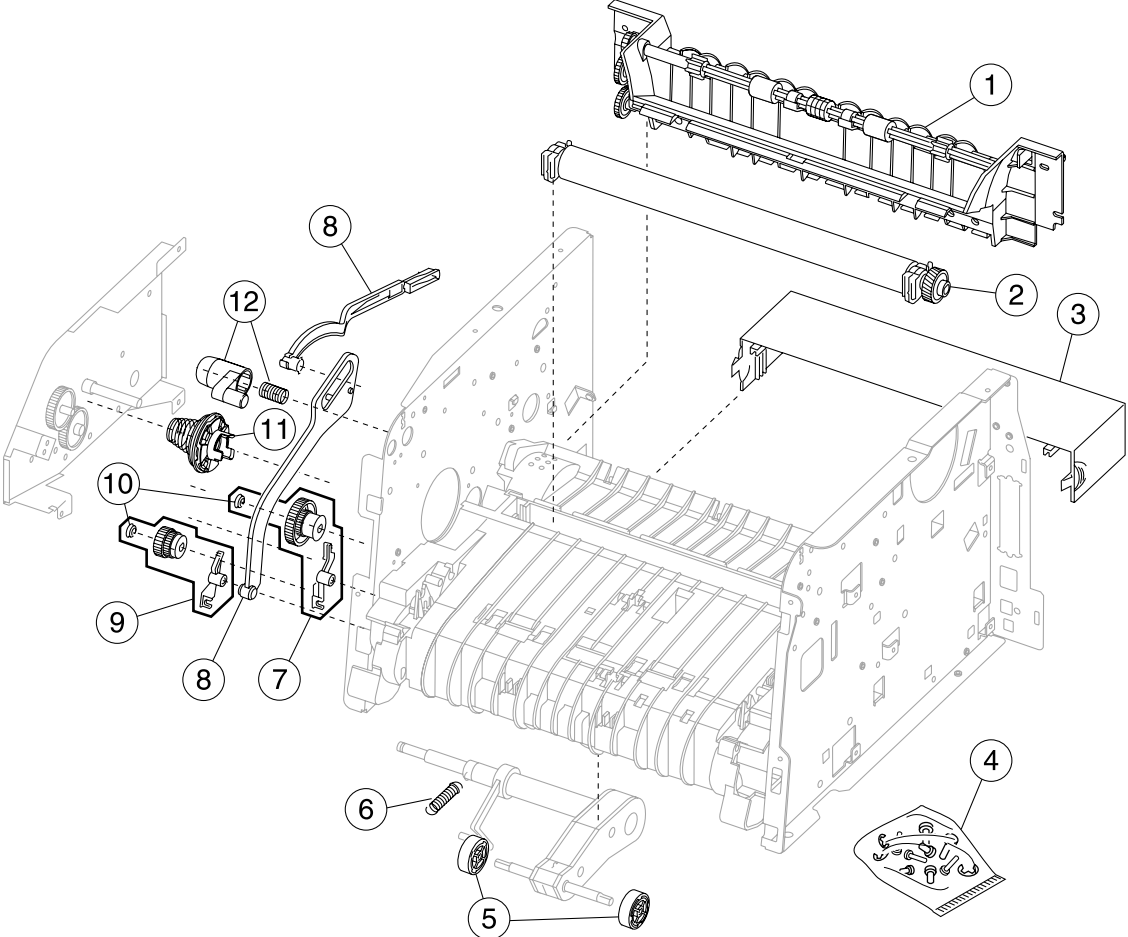
# Assembly 2: Electronics






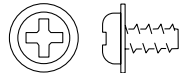
## Assembly 2: Electronics

Index	P/N	Units	Description
2-1	56P1812	1	Print assembly, laser/mirror E232
1	56P1829	1	Print assembly, laser/mirror E330/E332n/E234/E234n
1	56P1830	1	Print assembly, laser/mirror E230
2	56P1810	1	Fuser assembly, 110 V
2	56P1811	1	Fuser assembly, 220 V
2	56P2070	1	Fuser assembly, 100 V
3	56P1826	1	Sensor, exit
4	56P2077	1	Cable assemblies, miscellaneous <ul style="list-style-type: none"> <li>• Toner sensor</li> <li>• LVPS/HVPS to controller</li> <li>• Main drive motor (E23x/E330)</li> <li>• Main drive motor (E234n/E332n)</li> <li>• Fuser power</li> </ul>
5	56P1824	1	Sensor, input #1
6	56P1827	1	Sensor, cover open
7	56P2072	1	Fan, cooling
8	56P2076	1	Sensor, toner level
9	56P1813	1	Card, controller E232
9	56P1814	1	Card, controller E330
9	56P1815	1	Card, controller E332n
9	56P1831	1	Card, controller E230
9	56P2704	1	Card, controller, E234
9	56P2705	1	Card, controller, E234n
10	56P1817	1	Operator panel assembly, operator panel with PCB assembly
10	56P2092	1	Operator panel assembly, operator panel with PCB assembly (white)
11	56P1818	1	Card assembly, LVPS/HVPS 110 V
11	56P1819	1	Card assembly, LVPS/HVPS 220 V
12	56P1825	1	Sensor, input #2 (manual)

# Assembly 3: Frame



## Assembly 3: Frame

Index	P/N	Units	Description
3-1	56P2078	1	Guide assembly, paper exit
2	56P1823	1	Transfer, roll, bearings, gear
3	56P1822	1	Cover, legal extender
3	56P2094	1	Cover, legal extender (white)
4	56P2646	N/A	Screws, miscellaneous (actual size)
			TP2NC-3.0+6P-Ni (quantity 2)
			
			M3.0*0.5+6P-Ni,2 Washer (quantity 2)
			
			MT3.0*0.5+6PF-Ni (quantity 5)
			
			TP2NC-3.0+6PF-Ni (quantity 4)
			
5	56P1820	2	Paper feed, rubber tires
6	56P2647	1	Springs, front door and ACM
7	56P2075	1	Clutch CBM, ACM
8	56P2083	1	Link CBM, door-fuser idle gear
9	56P2074	1	Clutch CBM, manual feed
10	56P2648	2	Rings, plastic snap
11	56P2073	1	Coupling assembly, developer drive
12	56P2082	1	Latch CBM, access cover

## Assembly 4: Miscellaneous

Index	P/N	Units	Description
NS	56P1232	1	Adapter, US 802.11B wireless print
NS	56P1233	1	Adapter, INTL 802.11B wireless print
NS	56P1431	1	Adapter, MarkNet X2011E external
NS	56P1432	1	Adapter, MarkNet X2012E external
NS	56P1433	1	Adapter, MarkNet X2031E external
NS	56P1434	1	Adapter, MarkNet X2030 Token Ring external
NS	56P1435	1	Adapter, external serial
NS	1038693	1	Cable, serial, 50 foot (PSO)
NS	12A2405	1	Cable, packaged USB
NS	1329605	1	Cable, packaged parallel
NS	1427498	1	Cable, 20 foot parallel cable, with pack
NS	56P1417	1	Card assembly, 16MB flash
NS	56P1418	1	Card assembly, 32MB flash
NS	56P1427	1	Card assembly, OptraForms 32MB flash
NS	56P1428	1	Card assembly, OptraForms 16MB flash
NS	56P1429	1	Card assembly, simplified Chinese font
NS	56P1430	1	Card assembly, traditional Chinese font
NS	56P2231	1	Card assembly, Korean font
NS	56P0696	1	DIMM, 16MB PC100 SDR DIMM
NS	56P0697	1	DIMM, 32MB PC100 SDR DIMM
NS	56P0698	1	DIMM, 64MB PC100 SDR DIMM
NS	56P0699	1	DIMM, 128MB PC100 SDR DIMM
NS	7372839	1	Package assembly, field relocation
NS	1339520	1	Power cord, Spain, 8 foot (straight)
NS	11D0330	1	Power cord, Argentina
NS	1339528	1	Power cord, United Kingdom, 6 foot
NS	1339529	1	Power cord, Austria HV, 6 foot (straight)
NS	1339530	1	Power cord, Israel, 6 foot (straight)
NS	1339531	1	Power cord, Switzerland, 6 foot
NS	1339532	1	Power cord, South Africa, 6 foot
NS	1339533	1	Power cord, Italy, 6 foot (straight)
NS	1339534	1	Power cord, Danish, 6 foot (straight)
NS	1339548	1	Power cord, Brazil, 6 foot (straight)
NS	43H5545	1	Power cord, PRC, 1.77M (straight)
NS	56P9926	1	Software, Optra Forms
NS	56P9927	1	Software, Optra Forms director

## Part number index

P/N	Description	Page
1038693	Cable, serial, 50 foot (PSO) . . . . .	7-9
11D0330	Power cord, Argentina . . . . .	7-9
12A2405	Cable, packaged USB . . . . .	7-9
1329605	Cable, packaged parallel . . . . .	7-9
1339520	Power cord, Spain, 8 foot (straight) . . . . .	7-9
1339528	Power cord, United Kingdom, 6 foot . . . . .	7-9
1339529	Power cord, Austria HV, 6 foot (straight) . . . . .	7-9
1339530	Power cord, Israel, 6 foot (straight) . . . . .	7-9
1339531	Power cord, Switzerland, 6 foot . . . . .	7-9
1339532	Power cord, South Africa, 6 foot . . . . .	7-9
1339533	Power cord, Italy, 6 foot (straight) . . . . .	7-9
1339534	Power cord, Danish, 6 foot (straight) . . . . .	7-9
1339548	Power cord, Brazil, 6 foot (straight) . . . . .	7-9
1427498	Cable, 20 foot parallel cable, with pack . . . . .	7-9
43H5545	Power cord, PRC, 1.77M (straight) . . . . .	7-9
56P0696	DIMM, 16MB PC100 SDR DIMM . . . . .	7-9
56P0697	DIMM, 32MB PC100 SDR DIMM . . . . .	7-9
56P0698	DIMM, 64MB PC100 SDR DIMM . . . . .	7-9
56P0699	DIMM, 128MB PC100 SDR DIMM . . . . .	7-9
56P1232	Adapter, US 802.11B wireless print . . . . .	7-9
56P1233	Adapter, INTL 802.11B wireless print . . . . .	7-9
56P1417	Card assembly, 16MB flash . . . . .	7-9
56P1418	Card assembly, 32MB flash . . . . .	7-9
56P1427	Card assembly, OptraForms 32MB flash . . . . .	7-9
56P1428	Card assembly, OptraForms 16MB flash . . . . .	7-9
56P1429	Card assembly, simplified Chinese font . . . . .	7-9
56P1430	Card assembly, traditional Chinese font . . . . .	7-9
56P1431	Adapter, MarkNet X2011E external . . . . .	7-9
56P1432	Adapter, MarkNet X2012E external . . . . .	7-9
56P1433	Adapter, MarkNet X2031E external . . . . .	7-9
56P1434	Adapter, MarkNet X2030 Token Ring external . . . . .	7-9
56P1435	Adapter, external serial . . . . .	7-9

56P1810	Fuser assembly, 110 V	7-5
56P1811	Fuser assembly, 220 V	7-5
56P1812	Print assembly, laser/mirror E232	7-5
56P1813	Card, controller E232	7-5
56P1814	Card, controller E330	7-5
56P1815	Card, controller E332n	7-5
56P1816	Cover assembly, front access (no logo)	7-3
56P1817	Operator panel assembly, operator panel with PCB assembly	7-5
56P1818	Card assembly, LVPS/HVPS 110 V	7-5
56P1819	Card assembly, LVPS/HVPS 220 V	7-5
56P1820	Paper feed, rubber tires	7-7
56P1821	Cover, right	7-3
56P1822	Cover, legal extender	7-7
56P1823	Transfer, roll, bearings, gear	7-7
56P1824	Sensor, input #1	7-5
56P1825	Sensor, input #2 (manual)	7-5
56P1826	Sensor, exit	7-5
56P1827	Sensor, cover open	7-5
56P1829	Print assembly, laser/mirror E330 / E332n	7-5
56P1830	Print assembly, laser/mirror E230	7-5
56P1831	Card, controller E230	7-5
56P1832	Cover, logo plate E332n	7-3
56P1833	Cover, logo plate E230	7-3
56P1834	Tray, main (white)	7-3
56P2070	Fuser assembly, 100 V	7-5
56P2072	Fan, cooling	7-5
56P2073	Coupling assembly, developer drive	7-7
56P2074	Clutch CBM, manual feed	7-7
56P2075	Clutch CBM, ACM	7-7
56P2076	Sensor, toner level	7-5
56P2077	Cable assemblies, miscellaneous	7-5
56P2077	Cable assembly, misc.- fuser power	7-5
56P2077	Cable assembly, misc.- LVPS/HVPS to controller	7-5
56P2077	Cable assembly, misc.- main drive motor	7-5
56P2077	Cable assembly, misc.- toner sensor	7-5
56P2077	Fuser power	7-5
56P2078	Guide assembly, paper exit	7-7
56P2079	Cover assembly, top	7-3
56P2080	Cover, left	7-3
56P2081	Cover, logo plate E330	7-3
56P2082	Latch CBM, access cover	7-7
56P2083	Link CBM, door-fuser idle gear	7-7
56P2084	Tray 2, optional (white)	7-3
56P2085	Cover, logo plate E232	7-3
56P2086	Cover, logo plate (plain)	7-3
56P2087	Cover assembly, rear	7-3

56P2088	Tray, main . . . . .	7-3
56P2089	Drawer, optional . . . . .	7-3
56P2090	Tray 2, optional . . . . .	7-3
56P2091	Cover assembly, front access (white) . . . . .	7-3
56P2092	Operator panel assembly, operator panel with PCB assembly (white) . . . . .	7-5
56P2093	Cover, right (white) . . . . .	7-3
56P2094	Cover, legal extender (white) . . . . .	7-7
56P2095	Cover, left (white) . . . . .	7-3
56P2096	Cover, logo plate (white) E330 . . . . .	7-3
56P2097	Cover, logo plate (white) E232 . . . . .	7-3
56P2098	Cover assembly, rear (white) . . . . .	7-3
56P2231	Card assembly, Korean font . . . . .	7-9
56P2628	Cover, logo plate (white) E230 . . . . .	7-3
56P2629	Cover, logo plate (white) E332 . . . . .	7-3
56P2646	Screws, miscellaneous . . . . .	7-7
56P2647	Springs, front door and ACM . . . . .	7-3, 7-7
56P2648	Rings, plastic snap . . . . .	7-7
56P2703	Cover, logo plate E234 . . . . .	7-3
56P2704	Card, controller, E234 . . . . .	7-5
56P2705	Card, controller, E234n . . . . .	7-5
56P9926	Software, Optra Forms . . . . .	7-9
56P9927	Software, Optra Forms director . . . . .	7-9
7372839	Package assembly, field relocation . . . . .	7-9